

# MC3™

## User's Guide

To take full advantage of the ergonomic features of your new Sun Mountain MC3, please read the following information.





**Your Micro Cart has several innovative features designed for convenience, easy access and use.**



- Parking brake.



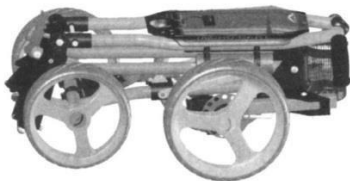
- Integrated tee and pencil holder.

- Padded valuables tray with magnetic lid.



- Solid foam tires.

- Folds down in seconds to fit in your trunk.  
Folded dimensions: 24"X16"X12.5"



## INSTRUCTIONS FOR UNFOLDING YOUR MC3

### STEP ONE: UNFOLDING THE UPRIGHT TUBES



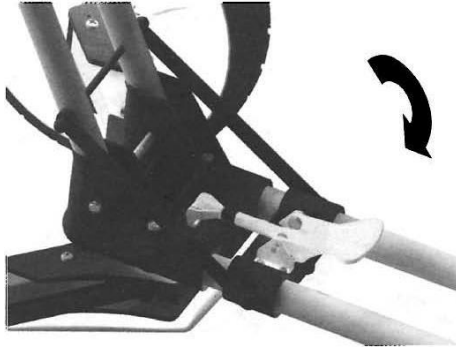
Release the folding latch underneath the accessory tray by lifting up on the rim of the cup holder. While holding the front wheel in place with your hand or foot, pull the handle back until the upright tubes are fully extended. Secure the cart by engaging the yellow latch hook and lever as shown in the illustration on page 4. If your lever is too tight, loosen the nut at the base of the latch hook,

turn the latch hook until the lever is comfortable to maneuver, and retighten the nut.

### STEP TWO: SECURING THE HANDLE

Lift the handle, until the handle height is comfortable. Move the yellow handle latch forward toward the upper bag rest to secure the handle. Over time, the handle tension may decrease causing the handle to ratchet. To increase the tension, simply turn the twist knob clockwise in small increments until the handle is secure. It is easiest to make this adjustment when the cart is folded.





### **STEP THREE: ADJUSTING THE HANDLE HEIGHT**

To reset the handle height, release the handle by pulling the handle latch toward the accessory tray. Lift or lower the handle to the new height and secure the handle latch.

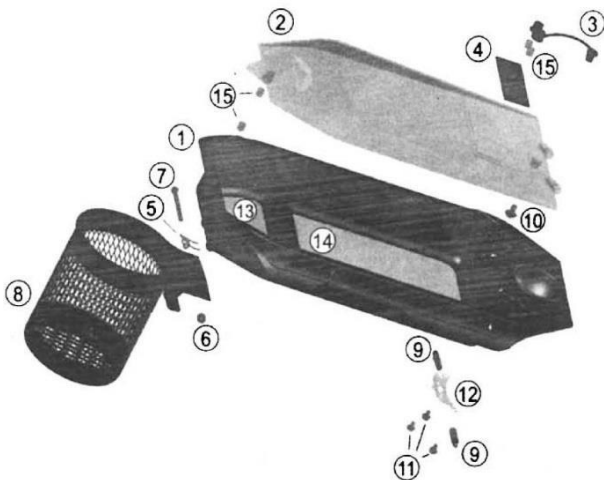
### **STEP FOUR: LOADING YOUR GOLF BAG**

Unfold the triangular lower bag support and place the bottom of your golf bag on it. Then lean the top part of your bag into the upper bag support. The bag bracket secures your bag without straps. The width of the upper bag support can be adjusted by turning the thumb screws on both sides. If your bag pockets are touching the front wheels, you may expand the front axle. See page 13 for instructions.

### **STEP FIVE: STEERING**

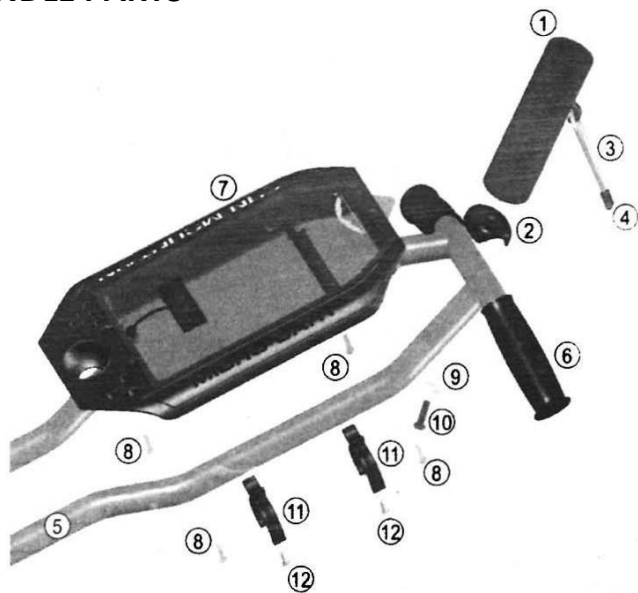
To steer you cart, push down on the handle so the front wheels lift slightly off the ground. Then pivot right or left to change direction, lower the front wheels and go.

## ACCESSORIES TRAY ASSEMBLY

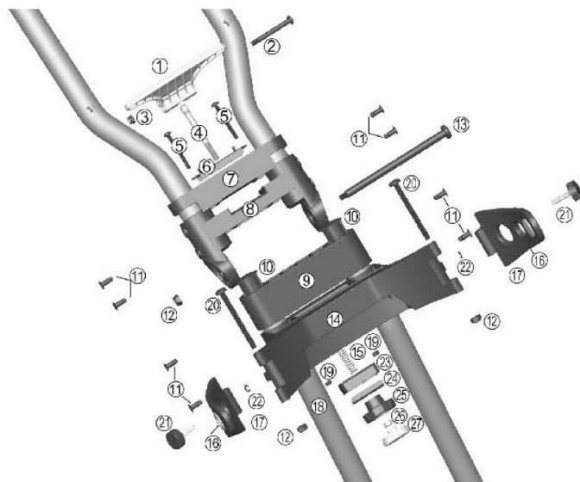


| Item # | Part #  | Description                              | Qty |
|--------|---------|--|-----|
| 1-2    | MC1-901 | Tray Assembly                            | 1   |
| 3      | MC1-501 | Magnet Strap with Magnets                | 1   |
| 4      | MC1-502 | Magnet Plate                             | 1   |
| 5      | MC1-201 | Torsion Spring                           | 1   |
| 6      | SV1-225 | M4-0.7 Nylock Nut                        | 1   |
| 7      | MC1-278 | M4-0.7x44mm Phillips Pan Head Screw      | 1   |
| 8      | MC1-910 | Beverage Holder Kit                      | 1   |
| 9      | MC1-304 | Hinge Post                               | 2   |
| 10     | MC1-203 | 3.6x6mm Phillips Pan Head Screw w/washer | 1   |
| 11     | MC1-204 | M3x5mm Mill Cauda with Pan Head Screw    | 3   |
| 12     | MC1-205 | Spring Plate                             | 1   |
| 13     | MC1-701 | Upper Tray Pad                           | 1   |
| 14     | MC1-702 | Lower Tray Pad                           | 1   |
| 15     | MC1-706 | 6.35X6.35 Magnet                         | 4   |

## HANDLE PARTS

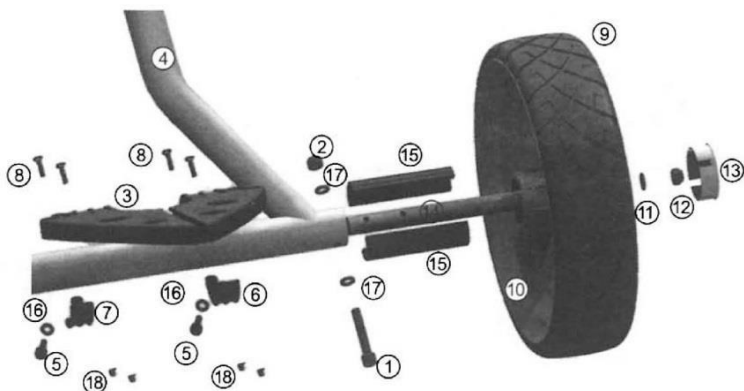


| Item # | Part #   | Description                           | Qty |
|--------|----------|---------------------------------------|-----|
| 1      | MC1-905  | Umbrella Holder Receiver              | 1   |
| 2      | SV1-903A | Umbrella Mount Kit                    | 1   |
| 3-4    | MC1-703  | Umbrella Holder Bungee w/Clasp        | 1   |
| 5      | MC3-914A | Handle Tube Assembly (color specific) | 1   |
| 6      | MC3-705  | MC3 Black Handle Grip                 | 2   |
| 7      | MC1-901  | Accessories Tray Assembly             | 1   |
| 8      | MC1-206  | 4x20mm Phillips Pan Head Screw        | 4   |
| 9      | SV1-209  | 6.4mm Washer                          | 1   |
| 10     | SV1-210  | 1/4"X20mm Phillips Pan Head Screw     | 1   |
| 11     | SV1-903B | Umbrella Clip Kit                     | 1   |
| 12     | 005-122  | M4x12mm Phillips Pan Head Screw       | 2   |



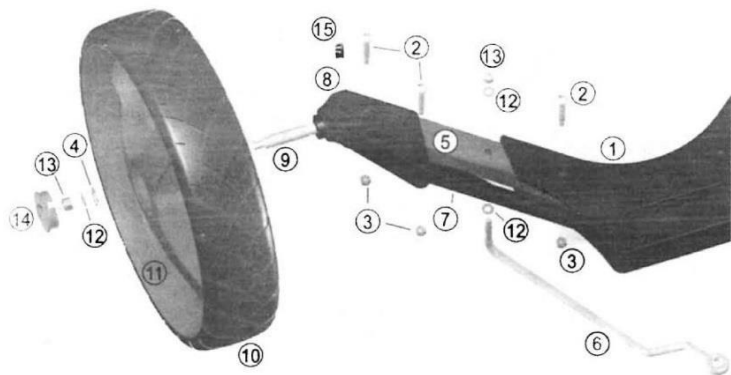
| Item # | Part #   | Description                            | Qty |
|--------|----------|--|-----|
| 1      | MC3-910A | Handle Latch Assembly (color specific) | 1   |
| 2      | MC3-282  | M5x43.5 Phillips Pan Head Screw        | 1   |
| 3      | SV1-221  | M5 Nylock Nut                          | 1   |
| 4      | MC3-283  | Link                                   | 1   |
| 5      | 005-110  | M4x40mm Phillips Pan Head Screw        | 2   |
| 6      | MC3-285  | Upper Mount Plate                      | 1   |
| 7      | MC3-349A | Pivot Cap                              | 1   |
| 8      | MC3-350A | Handle Pivot                           | 1   |
| 9      | MC3-351A | Brace                                  | 1   |
| 10     | MC1-309  | Tube End Plug                          | 2   |
| 11     | MC1-213  | M5x12mm Phillips Pan Head Screw        | 8   |
| 12     | SV1-202  | M6 Nylock Nut                          | 3   |
| 13     | MC1-210  | M6x125.5mm Bolt                        | 1   |
| 14     | MC1-312  | Upper Bag Support                      | 1   |
| 15     | MC3-286  | Spring                                 | 1   |
| 16     | MCS-341  | Bag Wrap Cushion (color specific)      | 2   |
| 17     | SV1-912  | Bag Wrap (color specific)              | 2   |
| 18     | NA       | Main Frame                             |     |
| 19     | SV1-221  | Nylock Nut M5-0.7                      | 2   |
| 20     | MC1-218  | M6-1.0x65mm Phillips Pan Head Screw    | 2   |
| 21     | MC1-315  | Thumb Screw                            | 2   |
| 22     | SV1-223  | 3mm E-clip                             | 2   |
| 23     | MC3-352  | Grip Mount                             | 1   |
| 24     | MC3-287  | Lower Mount Plate                      | 1   |
| 25     | MC3-353  | Twist Knob                             | 1   |
| 26     | SV1-202  | M6 Nut                                 | 1   |
| 27     | MC3-354  | Twist Knob Cap                         | 1   |



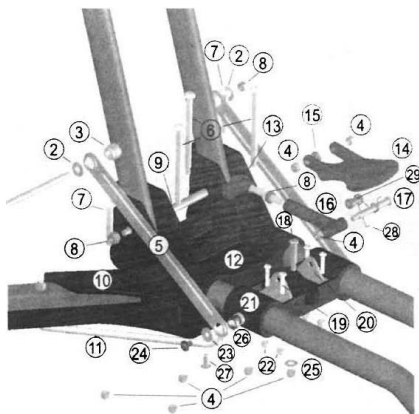


| Item # | Part #    | Description                                   | Qty |
|--------|-----------|---|-----|
| 1      | MC2-281   | M6 X35mm Hexagon Screw                        | 2   |
| 2      | SV1-202   | M6 Nylock Nut                                 | 2   |
| 3      | MC3-912   | Lower Bag Support Kit (new style/seat slot)   | 1   |
| 4      | NA        | Main Frame                                    |     |
| 5      | MC1-221   | M4x14mm Screw                                 | 2   |
| 6-7    | MC3-912   | Spade Supports (new bag support kit required) | 1   |
| 8      | MC1-220   | M3-0.5x12mm Phillips Pan Head Screw           | 4   |
| 9      | MC3-701   | Front Wheel (color specific)                  | 2   |
| 10     | NA        | Front Rim                                     |     |
| 11     | MC1-215   | 6-12mm Flat Washer                            | 2   |
| 12     | SV1-202   | M6 Nut  | 2   |
| 13     | V1S-327R- | Front Rim Center Cap (color specific)         | 2   |
| 14     | MC1-225   | Front Axle                                    | 2   |
| 15     | MC2-340   | Front Axle Bushing                            | 4   |
| 16     | MC1-342   | 4x8 Lock Washer Internal Teeth                | 2   |
| 17     | MC1-215   | 6-12mm Flat Washer                            | 4   |
| 18     | MC1-222   | M3-0.5 Nylock Nut                             | 4   |

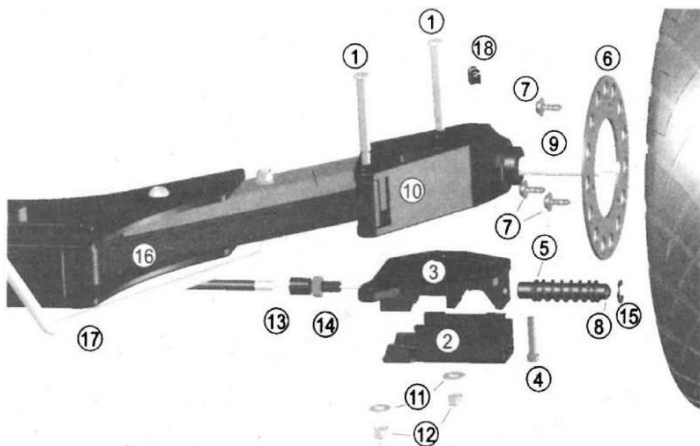
1,2,&17 ship together as a set



| Item # | Part #     | Description                                | Qty |
|--------|------------|--|-----|
| 1      | MC3-322    | Main Fitting                               | 1   |
| 2      | MC1-226    | M5x39mm Phillips Pan Head Screw            | 3   |
| 3      | SV1-221    | M5-0.8 Nylock Nut                          | 3   |
| 4      | MC1-233    | 9mm E-Clip                                 | 2   |
| 5      | MC1-107BK  | Outrigger Tube (black only)                | 2   |
| 6      | MC1-243    | Upper Delta Link                           | 1   |
| 7      | MC3-277W   | Right Parallel Link (white only)           | 1   |
| 8      | MC3-337    | Right Wheel Fitting                        | 1   |
| 9      | MC1-230    | Rear Axle                                  | 2   |
| 10     | MC3-702_   | Right Rear Wheel-No Brake (color specific) | 1   |
|        | MC3-259    | Disc Brake (ordered with MC3-702_)         | 1   |
| 11     | NA         | Rear Rim                                   |     |
| 12     | MC1-215    | 6-12mm Flat Washer                         | 3   |
| 13     | SV1-202    | M6 Nut                                     | 2   |
| 14     | V15-327R-_ | Wheel center cap (color specific)          | 2   |
| 15     | MC2-346    | Pouch Clip                                 | 2   |



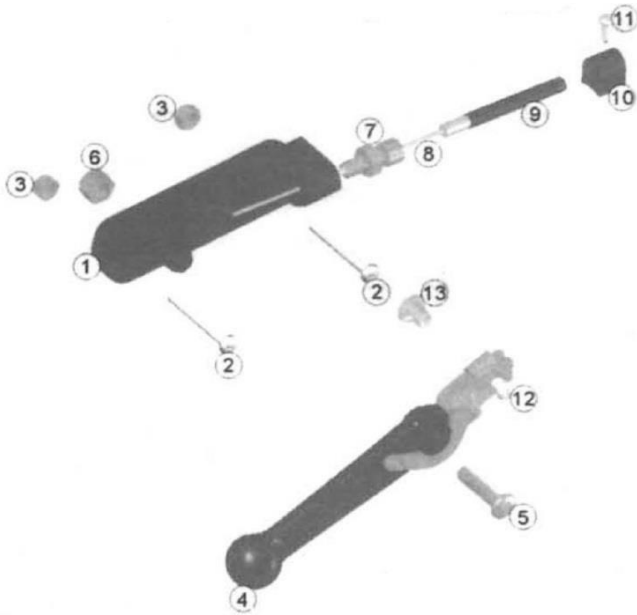
| Item # | Part #  | Description                           | Qty |
|--------|---------|---------------------------------------|-----|
| 1      | MC3-234 | M6x160mm Bolt                         | 2   |
| 2      | MC1-235 | 6-14mm Flat Washer                    | 2   |
| 3      | MC1-236 | Upright Tube Pivot Post               | 2   |
| 4      | SV1-221 | M5-0.8 Nylock Nut                     | 9   |
| 5      | MC1-238 | Upright Link                          | 2   |
| 6      | MC1-239 | M5X74.4mm Phillips Pan Head Screw     | 3   |
| 7      | MC1-240 | M5X39mm Phillips Pan Head Screw       | 2   |
| 8      | SV1-202 | M6 Nut                                | 5   |
| 9      | MC1-242 | M5-8x142.4mm Lower Milled Draw Bolt   | 1   |
| 10     | MC3-322 | Main Fitting                          | 1   |
| 11     | MC1-243 | Upper Delta Link                      | 1   |
| 12     | MCS-329 | Upper Main Frame Fitting (black only) | 1   |
| 13-14  | MCS-909 | Lower Latch Assembly (color specific) | 1   |
| 15     | MC1-244 | M5x12.8 Hexagon Head Bolt             | 1   |
| 16     | MCS-909 | Lower Latch Assembly (color specific) | 1   |
| 17     | MC1-245 | M5x44.8mm Phillips Pan Head Screw     | 1   |
| 18     | MC1-246 | M5.28mm Phillips Pan Head Screw       | 1   |
| 19     | MC1-247 | M4x18mm Phillips Pan Head Screw       | 4   |
| 20     | MCS-909 | Lower Latch Assembly (color specific) | 1   |
| 21     | MC3-333 | Slider                                | 2   |
| 22     | SV1-225 | M4-0.7 Nylock Nut                     | 4   |
| 23     | MC1-250 | 4-14mm Flat Washer                    | 2   |
| 24     | MC1-251 | M4x6mm Phillips Pan Head Screw        | 2   |
| 25     | MC1-215 | 6-12mm Flat Washer                    | 1   |
| 26     | MC1-253 | Upright Link Rotating Ring            | 2   |
| 27     | RC3-102 | 5x15 Rivet                            | 1   |
| 28     | MCS-909 | Lower Latch Assembly (color specific) | 1   |
| 29     | MC1-254 | M5x17.5 Hexagon Head Bolt             | 1   |



| Item # | Part #   | Description                             | Qty |
|--------|----------|---|-----|
| 1      | MC1-245  | M5-44.8mm Phillips Pan Head Screw       | 2   |
| 2      | SV1-302  | Brake Housing                           | 1   |
| 3      | SV1-303  | Brake Mounting Base                     | 1   |
| 4      | SV1-203  | M4x20 HEX Screw                         | 1   |
| 5      | SV1-204  | Brake Spring                            | 1   |
| 6      | MC3-259  | Disc Brake                              | 1   |
| 7      | MC1-260  | 3x10mm Phillips Pan Head Screw w/washer | 3   |
| 8      | SV1-205  | Brake Pin                               | 1   |
| 9      | MC1-230  | Rear Axle                               | 1   |
| 10     | MC3-324  | Left Wheel Fitting                      | 1   |
| 11     | MC1-215  | 6-12mm Flat Washer                      | 2   |
| 12     | SV1-227  | M5-0.8 Nylock Nut                       | 2   |
| 13     | MC1-903A | Lower Brake Cable Adjustment Stud       | 1   |
| 14     | SV1-202  | M6 Nut                                  | 1   |
| 15     | SV1-206  | 6x0.8mm E-clip                          | 1   |
| 16     | MC3-323  | Left Parallel Link (white only)         | 1   |
| 17     | MC1-229  | Lower Delta Link                        | 1   |
| 18     | MC2-346  | Pouch Clip                              | 2   |

## Adjusting the Brake:

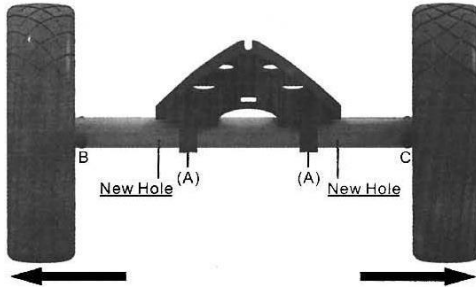
The brake cable lengthens over time and as a result, the brake pin hits the disc brake. To tighten the brake cable, turn the brake cable adjustment stud clockwise (item 7) until the brake pin has enough clearance.



| Item # | Part #     | Description                         | Qty |
|--------|------------|-------------------------------------|-----|
| 1      | MC1-338    | Brake Lever Mount                   | 1   |
| 2      | MC1-268    | M4-0.7x35mm Phillips Pan Head Screw | 2   |
| 3      | SV1-225    | M4-0.7 Nylock Nut                   | 2   |
| 4      | MC1-902    | Brake Level with Linkage            | 1   |
| 5      | MC1-270    | M6-1.0x22mm Phillips Pan Head Screw | 1   |
| 6      | SV1-202    | M6-1.0 Nylock Nut                   | 1   |
| 7      | MC1-903    | Brake Cable Adjustment Stud and Nut | 1   |
| 8      | 005-419    | Brake Cable Kit and Hardware        | 1   |
| 9      | Refer to 8 | Brake Cable Sheathing               | 1   |
| 10     | SV1-306    | Brake Cable Sheathing Clip          | 6   |
| 11     | MC1-273    | 3x10mm Phillips Pan Head ST Screw   | 6   |
| 12     | MC1-274    | M4x5mm Phillips Pan Head Screw      | 1   |
| 13     | MC1-275    | Brake Cable Stud                    | 1   |

## Extendable Front Axles

If your bag pockets are touching the front wheels, the front axle can be extended to accommodate the larger bag. To extend the front axles, unscrew the four hex screws (A,B,C) using the allen wrench we provided, and pull the wheels outward. There are four holes on each axle; choose the width that works best for your bag and refasten the hex screws.

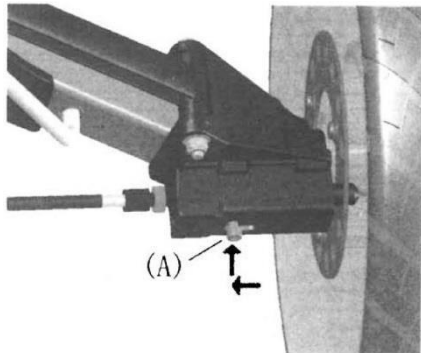


## Adjusting the Alignment:

All Micro-Carts go through alignment testing before they are shipped. However, if your cart is not rolling straight you can adjust the alignment with the internal hex bolt (B & C). If your cart goes right turn the left bolt (B) clockwise and the right bolt (C) counter-clockwise. Conversely, if your cart goes left, turn the left bolt (B) counter-clockwise and the right bolt (C) clockwise.

## Brake Lock Out

If the brake cable fails, you will need to disengage the brake pin. To do so, flip the cart upside down and pull screw (A) back and into the locked position as shown.



## **Maintenance:**

Fertilizers and other chemicals used on golf courses can be corrosive over time. To keep the powder-coated finish of your MC3 in good condition, wash your cart regularly with a damp wash cloth and mild detergent.

## **Limited Warranty:**

Sun Mountain warrants the MC3 to be free of defects in materials and workmanship. The cart frame (two parallel tubes from the handle to the wheel) is warranted for 3 years from date of purchase. Other parts such as the tires, brakes, handle wrap, etc. are warranted for 1 year from date of purchase. This warranty does not cover normal wear and tear, damage, failure or loss resulting from misuse, accident, neglect or failure to follow instructions or warnings in this user's guide.

### **IMPORTANT!**

Pulling the MC3 behind a power cart or using it as part of a rental fleet voids the warranty. Sun Mountain is the sole judge of any claim or warranty. Proof of purchase is required.

## **Warranty Registration:**

Please register your item by visiting our Customer Care section at [www.sunmountain.com](http://www.sunmountain.com)

## **Claim Procedure:**

If you have a claim covered by the warranty, please call our customer service staff to identify and resolve the problem.

If it is deemed necessary to return your cart, a return authorization number will be provided by the customer service agent. This number **MUST** be included on the product or package being returned.

For claim information, please call 1-800-227-9224.

For customer service or replacement parts  
**call 1-800-227-9224.**

Visit our web site at  
[www.sunmountain.com](http://www.sunmountain.com)



301 N. 1st Street W.  
Missoula, MT 59802