

Speed Cart® V2

User's Guide

To take full advantage of the ergonomic features of your new Sun Mountain Speed Cart, please read the following information.



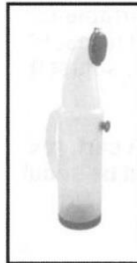
SUN MOUNTAIN

Your Speed Cart V2 has several innovative features designed for convenience, easy access and use.

A padded valuables box, magnetic lid and ball alignment marker



Sand and Seed Bottle

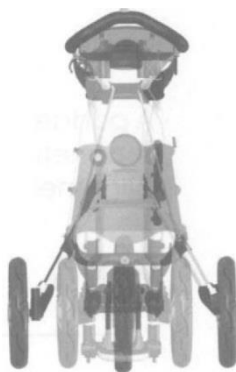


Folds down in seconds to fit in your trunk.

INSTRUCTIONS FOR OPERATION OF THE SPEED CART V2

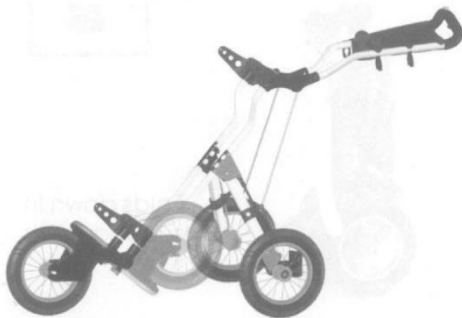
STEP ONE: UNFOLDING YOUR CART

1. To open and adjust your cart's steering handle, unscrew the black triangle twist knob at the base of the handle (several turns will be sufficient), tilt the cart forward so all the weight rests on the front tire and pull the handle out to extend the back wheels.
2. To unfold the cart's front wheel, loosen the black triangular twist knob located on the side of the front wheel so the wheel can pivot freely. Then fully extend the front wheel and securely tighten the twist knob to lock the front wheel in position.



Tips:

1. The height of the handle can be adjusted at any time to a height that is comfortable for you. To do so, loosen the handle twist knob several turns, tilt the cart forward to take weight off the back wheels, adjust the handle height and retighten the twist knob.
2. To unfold the cart, reverse steps one and two above. Both twist knobs should be securely tightened when the cart is folded.



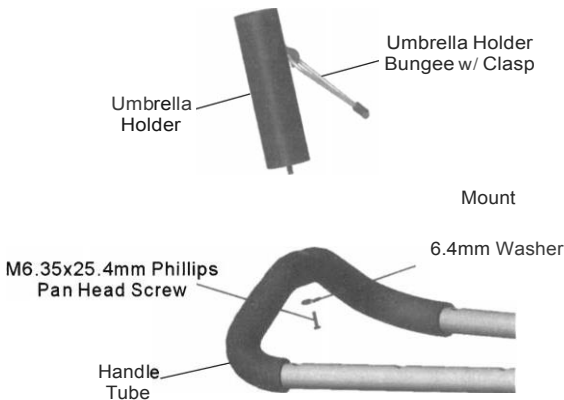
STEP TWO: LOADING YOUR GOLF BAG ON THE CART

Unfold the upper and lower bag brackets, loosen the four thumb screws on the side of the brackets, place your golf bag on the cart and retighten the thumb screws until the brackets fit the size of your bag. This adjustment only needs to be made once. The bottom of your golf bag should be resting on the U-shaped bag support.

USING YOUR UMBRELLA HOLDER AND UMBRELLA STORAGE LOOPS:

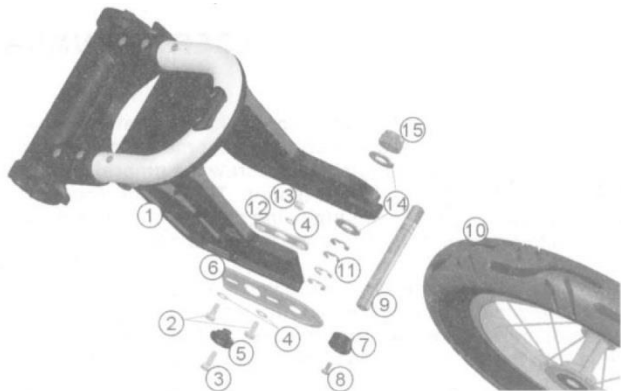
The Speed Cart V2 comes with an umbrella holder that is clipped on the side of the handle tube and an umbrella holder mount that is located on the handle grip. To use your umbrella, screw the umbrella holder clockwise onto the umbrella holder mount. Then place your umbrella handle inside the holder. If you are using a Sun Mountain umbrella you can use the bungee cord to secure the umbrella handle in the holder.

When you are not using your umbrella you may store your umbrella in the loops attached to the side of the cart. Insert the tip of your umbrella into the web loop behind the lower bag bracket and secure the top of the umbrella with the Velcro® web loop near the upper bag bracket.



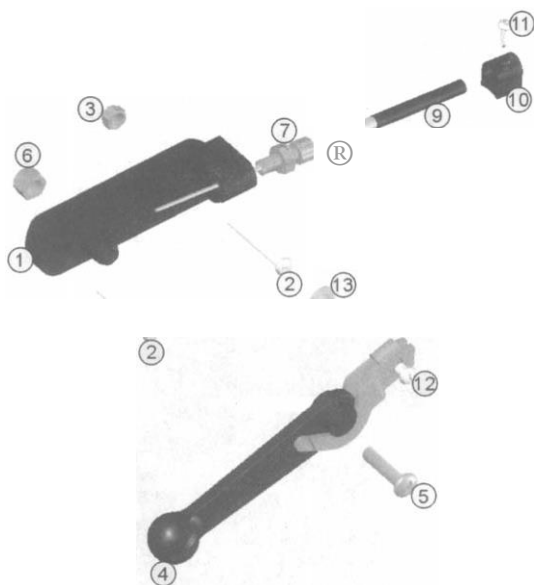
ADJUSTING THE ALIGNMENT:

All Speed Carts go through alignment testing before they are shipped. However, if your cart is not rolling straight you can adjust the alignment with the adjustment knob. First, loosen the two screws beside the adjustment knob. If your cart goes right, turn the knob clockwise. Conversely, if your cart goes left, turn the knob counter-clockwise. When you are satisfied with the alignment, tighten the screws to set the wheel's position.



Item #	Part #	Description	Qty
1	006-001	Fork (includes tracking hardware)	1
2	005-101	M5-0.8x12mm Hex Screw	2
3	005-123	M5-0.8x15mm Hex Screw	1
4	005-102	5mm Flat Washer	3
5	005-099	Adjustment Knob	1
6	007-098	Axle Adjustment Plate	1
7	005-105	Axle Retainer Cap (color specific)	1
8	005-118	M5-0.8x8mm Phillips Pan Head Screw	1
9	005-100	Front Axle	1
10	009-505S	Foam Tire Wheel Assembly (silver rim)	1
11	MC1-233	9mm E-clip	4
12	005-106	M5 Nut Plate	1
13	SV1-221	M5-0.8 Nylock Nut	1
14	005-021a	12mm Flat Washer	2
15	005-031	M12-1.75 Nylock Nut	1

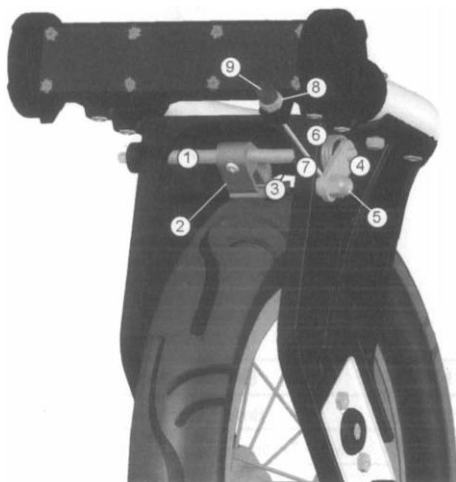
BRAKE PARTS:



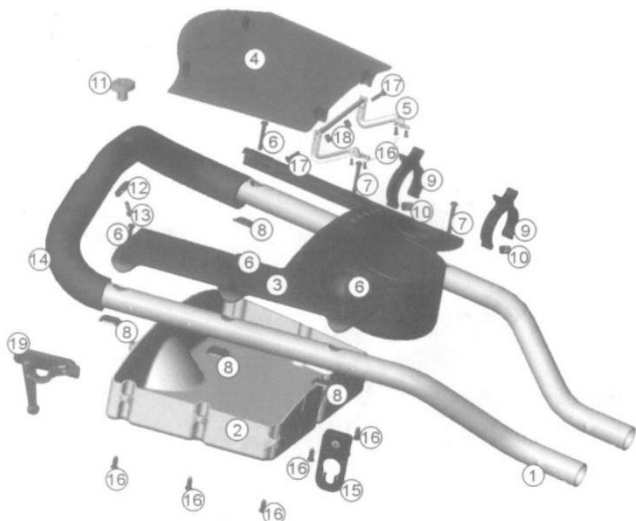
Item #	Part #	Description	Qty
1	MC1-338	Brake Lever Mount	1
2	MC1-268	M4-0.7x35mm Phillips Pan Head Screw	2
3	SV1-225	M4-0.7 Nylock Nut	2
4	MC1-902	Brake Lever with Linkage	1
5	MC1-270	M6-1.0x22mm Phillips Pan Head Screw	1
6	SV1-202	M6-1.0 Nylock Nut	1
7	MC1-903	Brake Cable Adjustment Stud and Nut	1
8	005-420	Brake Cable Kit and Hardware	1
9	Refer to 8	Brake Cable Sheathing	1
10	SV1-306	Brake Cable Sheathing Clip	6
11	MC1-273	3x10mm Phillips Pan Head ST Screw	6
12	MC1-274	M4x5mm Phillips Pan Head Screw	1
13	MC1-275	Brake Cable Stud	1

The hand brake is set to hold a 50-pound load on a 25% grade. If you find your manual brake is not holding, first check the tire pressure on the front tire to make sure it is at 30 PSI. If the tire pressure is correct and the brake is not holding, you may need to tighten the brake cable. To tighten, set the brake lever to the down position, remove slack from the cable by turning the cable adjustment bolt (item 8) counter-clockwise, then setting the nut to hold it in place.

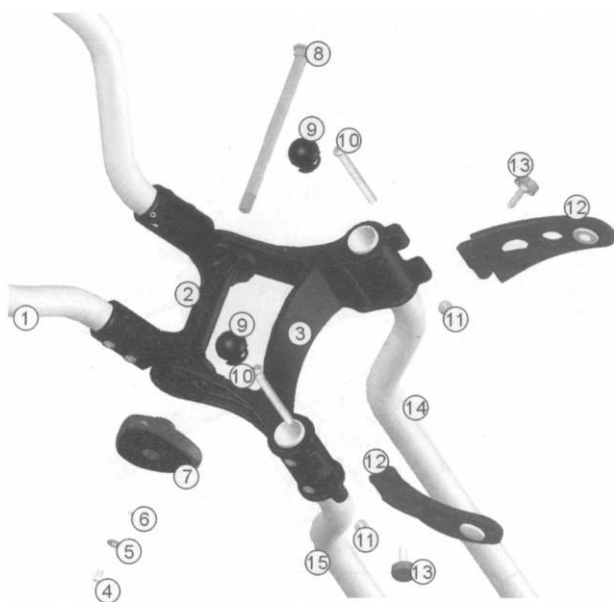
If all of the slack is already pulled out of the cable (the cable adjustment bolt is turned as far counterclockwise as possible) loosen the nut on the cable clamp bolt, turn the cable adjustment bolt clockwise until all threads are all the way in, press the brake cam against the tire, pull all the slack out of the cable and tighten the cable clamp bolt. You should now have sufficient adjustment in the cable adjustment bolt/nut to properly set the brake.



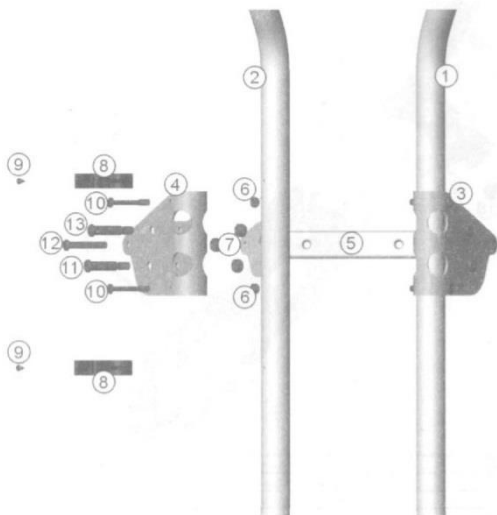
Item #	Part #	Description	Qty
ALL	007-404	V2 Full Brake Kit	1
1	Refer to kit	Brake Shaft (kit required)	1
2	007-202	Brake Cam	1
3	Refer to kit	Brake Shaft Bushing (kit required)	1
4	Refer to kit	Brake Throw (kit required)	1
5	Refer to kit	Brake Throw Bolt (kit required)	1
6	Refer to kit	Brake Cable (kit required)	1
7	Refer to kit	Brake Spring (kit required)	1
8	Refer to kit	Brake Cable Mount (kit required)	1
9	Refer to kit	Brake Throw (kit required)	1



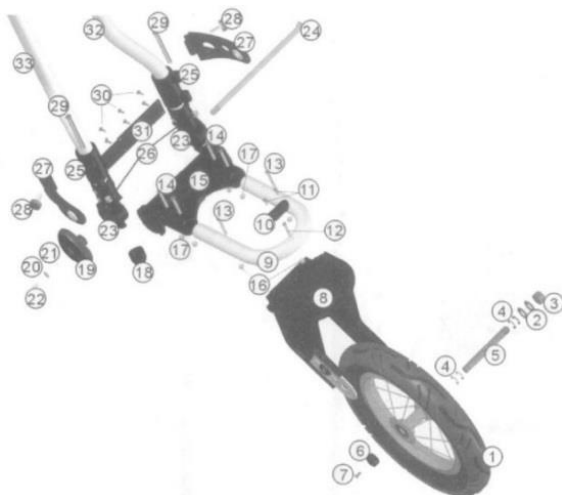
Item #	Part #	Description	Qty
1	006-004_	Handle Tube (color specific)	1
2	007-402L	Full Accessory Tray	1
3	007-402L	Full Accessory Tray	1
4	007-005	Accessory Tray Lid Kit	1
5	007-005	Accessory Tray Lid Kit	1
6	007-006	M4x28mm Phillips Pan Head Screw	4
7	007-007	M4x32mm Phillips Pan Head Screw	2
8	007-008	M4 Nut Plate	4
9	SV1-903B	Umbrella Holder Clip Kit	1
10	SV1-225	M4-0.7 Nylock Nut	2
11	007-011	Umbrella Holder Mount	1
12	SV1-209	6.4mm Washer	1
13	007-013	M6.35x25.4mm Phillips Pan Head Screw	1
14	009-128	Foam Handle	1
15	005-126	Grass Seed Clip and Screw	1
16	007-019	4X10mm Phillips Pan Head Screw	11
17	007-020	M3x8mm Phillips Pan Head Screw	2
18	007-021	M3 Nylock Nut	2
19	MC1-902	Brake Lever Assembly	1



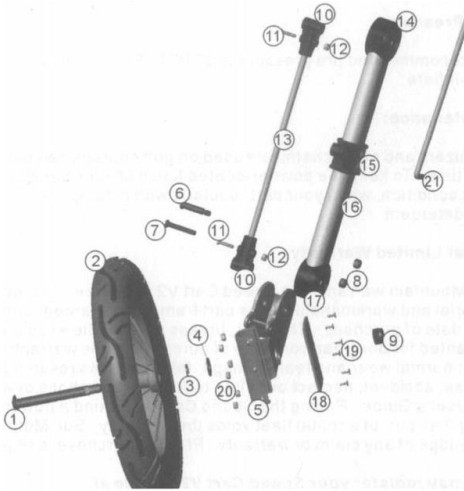
Item #	Part #	Description	Qty
1	006-004_	Handle Tube (color specific)	1
2	006-066	Handle Pivot	1
3	006-007	Upper Pivot Fitting	1
4	005-408C	Twist Knob/Draw Bolt Kit Required	1
5	005-408C	Twist Knob/Draw Bolt Kit Required	1
6	005-408C	Twist Knob/Draw Bolt Kit Required	1
7	005-408C	Twist Knob/Draw Bolt Kit Required	1
8	005-408C	Twist Knob/Draw Bolt Kit Required	1
9	009-019	Tube End Plug	2
10	007-034	M6x55mm Phillips Pan Head Screw	2
11	SV1-202	M6-1.0 Nylock Nut	2
12	SV1-912_	Bag Bracket (color specific)	2
13	MC1-315	Thumb Screw	2
14	NA	Main Frame Tube	1
15	NA	Main Frame Tube	1



Item #	Part #	Description	Qty
1	NA	Main Frame Tube (left)	1
2	NA	Main Frame Tube (right)	1
3	007-042	Mid fitting (left)	1
4	007-043	Mid Fitting (right)	1
5	007-044	Mid Fitting Brace	1
6	SV1-221	M5-0.8 Nylock Nut	4
7	SV1-202	M6-1.0 Nylock Nut	6
8	005-506C	Air Pump Clip Kit (includes pump)	2
9	MC1-273	M3x10mm Phillips Pan Head ST Screw	2
10	005-095	M5-35mm Phillips Pan Head Screw	4
11	007-054	M6x28.2+11.8mm Set Screw	2
12	009-087	M6x40mm Phillips Pan Head Screw	2
13	007-051	M6x26.4-13.6mm Set Screw	2



Item #	Part #	Description	Qty
1	009-505S	Silver Foam Tire Wheel Assembly	1
2	005-021A	12mm Flat Washer	2
3	005-031	M12-1.75 Nylock Nut	1
4	MC1-233	9mm E-clip	4
5	005-100	Front Axle	1
6	005-105_	Axle Retainer Cap (color specific)	1
7	005-118	M5-0.8x8mm Phillips Pan Head Screw	1
8	006-001	Fork	1
9	007-065	V2 Bag Support (includes hardware)	1
10	NA	Rubber Cushion	1
11	006-012	3x8mm Phillips Pan Head ST Screw w/washer	2
12	006-013	M4x30mm Phillips Pan Head Screw	1
13	MC1-268	M4x35mm Phillips Pan Head Screw	2
14	007-108	M5x35mm Phillips Pan Head Screw	4
15	006-017	Lower Loop Fitting	1
16	SV1-225	M4x0.4 Nylock Nut	3
17	SV1-221	M5X0.8 Nylock Nut	4
18	007-068	Rubber Stand	2
19-22	005-418C	Twist Knob, Set Screw, Washers	1
23	006-019	Lower Pivot Fitting	2
24	007-073C	Lower Milled Draw Bolt	1
25	007-075	Bag Wrap Support	2
26	SV1-202	M6-1.0 Nylock Nut	2
27-28	SV1-912G	Bag Wrap Arm (gray)	2
29	007-079	M6X70mm Phillips Pan Head Screw	2
30	006-015	3x12mm Self Tapping Screw	8
31	006-020	Lower Loop Fitting Plate	1
32-33	NA	Main Frame Tube	



Item #	Part #	Description	Qty
1	007-081	Rear Axle	1
2	009-505S	Silver Foam Tire Wheel Assembly	1
3	MC1-233	9mm E-clip	1
4	005-021A	12mm Flat Washer	1
5	007-084P	Wheel Fitting (Left)	1
6	006-016	M6x28.2+9.3mm Set Screw	1
7	005-087	M6x38 Phillips Pan Head Screw	1
8	SV1-202	M6-1.0 Nylock Nut	2
9	005-031	M12-1.75 Nylock Nut	1
10	007-407	Parallel Rod Kit	1
11	007-097	M4-20mm Phillips Pan Head Screw	2
12	005-033A	M4-0.7 Nylock Nut	2
13	007-407	Parallel Rod Kit	1
14-17	007-407_	Outrigger Support Block (Outrigger Tube Kit)	1
18	006-021	Wheel Fitting Plate	1
19	007-020	M3x8mm Phillips Pan Head Screw	6
20	007-021	M3 Nylock Nut	6
21	007-109	Rod Link (left)	1
No Pic	007-109A	Rod Link (right)	1
No Pic	G295026	Bottle Holder (accessory)	1

Maintenance:

Fertilizers and other chemicals used on golf courses can be corrosive over time. To keep the powder-coated finish of your Speed Cart in good condition, wash your cart regularly with a damp wash cloth and mild detergent.

Limited Warranty:

Sun Mountain warrants the Speed Cart V2 to be free of defects in materials and workmanship. The cart frame (two parallel tubes from the handle to the wheel) is warranted for 3 years from date of purchase. Other parts such as the tires, brakes, handle wrap, etc. are warranted for 1 year from date of purchase. This warranty does not cover normal wear and tear, damage, failure or loss resulting from misuse, accident, neglect or failure to follow instructions or warnings in this user's guide.

IMPORTANT!

Pulling the Speed Cart V2 behind a power cart or using it as part of a rental fleet voids the warranty. Sun Mountain is the sole judge of any claim or warranty. Proof of purchase is required.

Warranty Registration:

Please register your item by visiting our Customer Care section at www.sunmountain.com

Claim Procedure:

If you have a claim covered by the warranty, please call our customer service staff to identify and resolve the problem.

If it is deemed necessary to return your cart, a return authorization number will be provided by the customer service agent. This number MUST be included on the product or package being returned.

For claim information, please call 1-800-227-9224.

For customer service or replacement parts
call 1-800-227-9224

Visit our web site at
www.sunmountain.com



301 N. 1st. Street W.
Missoula, MT 59802